

# MODULAR PONTOONS

Waterking sells several types of pontoons. The modular pontoons can be **used as a platform** to carry out activities in and around the water and to transport heavy equipment. They can also serve as **temporary bridge**. The pontoons also come with a **Casco statement**, which is the basis for stability. This also includes the calculation you need to make for the configuration.

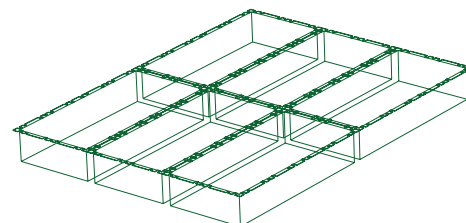
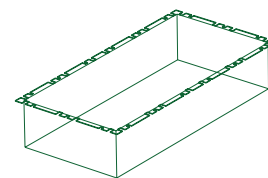
With the coupling system any desired model can easily be created within a short amount of time. The coupling system is made of high quality material and the links pins are fitted with cast blocks. The **modular pontoons are stackable**, this makes them easy to transport. To transport the entire platform across the water we have several workboats for sale.

Waterking NATO pontoons are identical to 'traditional' NATO pontoons in terms of dimensions. This makes them linkable. The only difference is the wall thickness of 4 mm, with which the **Waterking NATO pontoon complies with the latest laws and regulations on floating equipment**.

## MODULAR PONTOONS

	KP-H75	GP-H112 Z
Dimensions L x B x H - cm	420 x 210 x 75	575 x 230 x 112
Total weight - kg	1.600	3.795
Load-bearing capacity - kg	2.200*	6.345*
Wall thickness - mm	4	6
Water tight compartments	4	3

\* by 25 cm freeboard



## EXAMPLE PONTOON PLATFORM

*For anchoring systems*



Safety fences

## ACCESSORIES

The pontoons can be a base for a platform or bridge so that certain work can be carried out on them. To ensure that the platform does not drift away, **spud poles** are used. These provide grip on the bottom. To power the spudpoles, Waterking also offers a **powerpack**. **Bowpieces** can also be used to create an easy ramp and connect land to the platform.

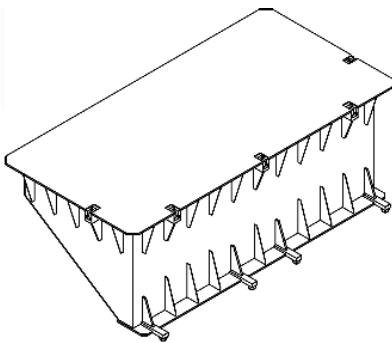
### SPUDPOLE + HOLDERS

	SPH-H75	SPH-H112
Dimensions L x B x H - cm	210 x 65 x 75	210 x 65 x 112
Thickness upper deck - mm	10	10
Thickness of bottom plate - mm	15	15
Sleeve length - m	164	164
Spud pole length - m	6	6
Dimensions spudpole - mm	200 x 200	300 x 300

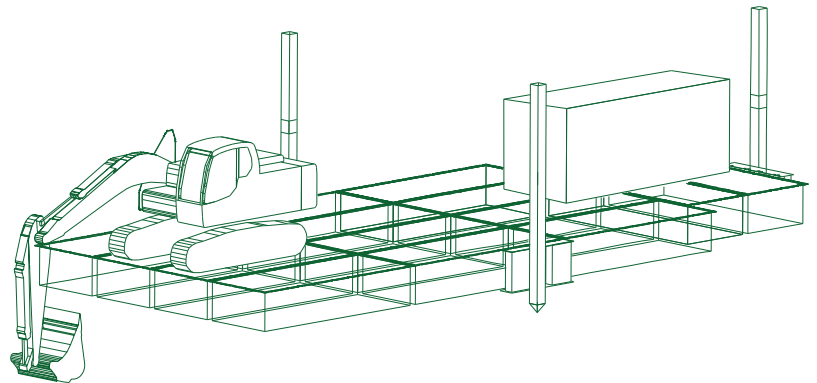


### POWERPACK

	HPP-50
Weight - kg	950
Motor	37 kW stage V diesel
Generator	10 KVA / 400 V
Capacity hydraulic tank	150 L
Capacity diesel tank	80 L
Control	Proportional remote controlled



*Bow piece to connect the pontoon to land*



*Ponton set with a powerpack and excavator*

## OTHER ACCESSORIES

- Forklift brackets
- Hoisting eyes
- Railing
- Bollards
- Every RAL color
- Spud pole holders (manual, cylinder, and with rack and gear system)
- Bow pontoons

# POSSIBILITIES WITH THE MODULAR PONTOONS

*Ponton set with an excavator*



*Ponton set with spudpoles and a powerpack*



*Bowpiece to connect the platform to land*



*The coupling system*

