



ES-TRIN CERTIFIED

WATERKING 20 NG-A

AMPHIBIOUS EXCAVATOR

REACH 5,25 - 5,50 m

GROUND PRESSURE 0,139 kg/cm²

CLASS 2,00 ton

ABOUT THE WK 20 NG-A

OUR STORY

What others saw as impossible, we saw as an opportunity. An amphibious excavator with more freedom of movement and greater work capability. Through its development, Waterking's excavator has set the standard for the next generation of amphibious machines. Our undercarriage, which can be combined with any upper, it is no problem at all to pass through difficult surfaces. From swamps to waters, anything is possible with the Waterking.

MATERIALS

Our amphibious machines are constructed using Cor-Ten steel and Hardox. This means they are eight times better protected against corrosion than other amphibious machines. Choice of upper structure, including Doosan, Caterpillar, Komatsu, Hitachi, Volvo, Takeuchi, Yanmar, JCB etc. It is possible to mount used upper structures as well as your own machines on our undercarriages.

PRESSURE AND CORROSION

Our undercarriages have up to 50% less ground pressure than those of our competitors. Our pontoons are wider, which helps to create greater stability and buoyancy. Amphibious excavators are equipped with a tensioning cylinder, which means tracks can be tightened faster and more efficiently. The tensioning cylinder is protected, which means there is less chance of damage and corrosion.

MOTORS, STEERING AND ATTACHMENTS

Heavy-duty travel motors, which are the most powerful travel motors in their class. This helps to offer greater tractive force. Third generation tracks with rounded edges, to ensure easy steering and reduction of damage to the surface. Larger additional pontoons, which make it easier to use accessories like large buckets, dredging pumps or powerpacks without affecting stability.

ES-TRIN

Since 2021, amphibious excavators now officially belong to inland waterway vessels and are therefore required to carry a stability certificate. Thus, CESNI created the ES-TRIN (European Standard laying down Technical Requirements for Inland Navigation vessels). More information and further explanations can be found on the ES-TRIN pages of this brochure.

PACKAGES

NAME

Basic machine

ES-TRIN uncertified

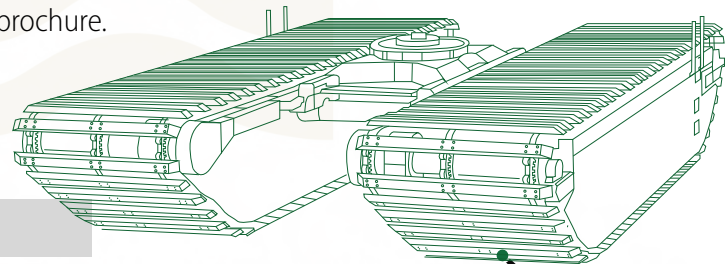
ES-TRIN certified

CONTAINS

Uppercarriage + undercarriage

Basic machine + sidepontoons + spudpoles

Basic machine + sidepontoons + spudpoles + middle pontoon + safety fences



Less ground pressure, strong, more stability and great buoyancy

WK 20 NG-A in Tynaarlo, the Netherlands



ES-TRIN

ES-TRIN is a regulation that vessels and floating equipment must comply with if they are to sail/operate on European inland waterways.

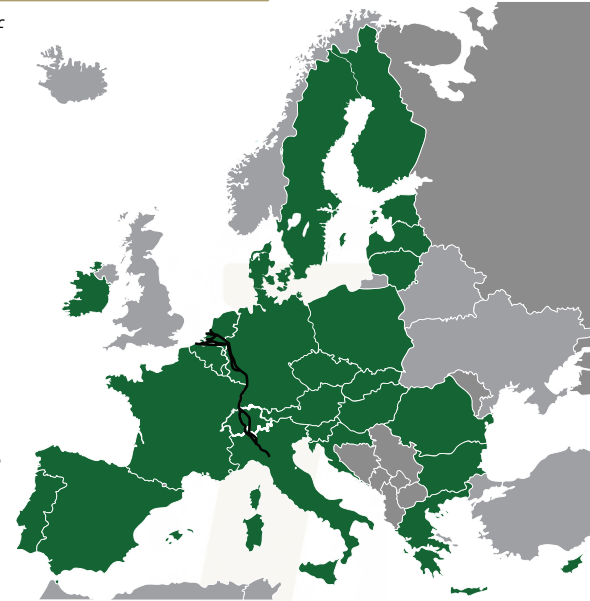
If your floating equipment does not comply with the current 2021 ES-TRIN regulations, then it is not allowed to perform work on European inland waters. .

Accidents happen in every field. However, everyone wants to prevent them as much as possible, which is why in 2015 the CESNI was founded by the CCNR (Central Commission for Navigation of the Rhine). The CESNI aims to centralize technical standards in different fields. This in view of the European inland navigation regulations.

The difference between an ES-TRIN certified excavator and an uncertified one is stability. A certified one is equipped with wider side pontoons, an middle pontoon and safety gates which reduces the chance of capsizing and ensures the safety of the machine.

At Waterking, we have each machine tested for number of degrees of inclination (maximum 5 degrees per side), thickness of steel and corrosion.

Would you like to know more information about ES-TRIN? You will find a comprehensive fact sheet on our website.



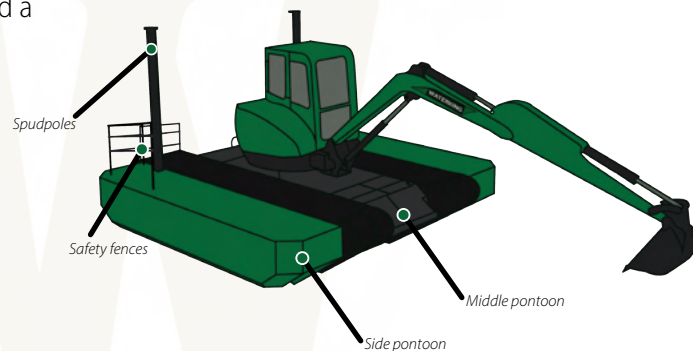
- ES-TRIN MANDATORY
- ES-TRIN VALID, NOT MANDATORY
- 📍 THE RHINE

❌ CONSEQUENCES WORKING WITHOUT ES-TRIN

- Unsafe work environment
- Accident risk
 - Personal injury
 - Environmental damage
 - Equipment damage
- Project shutdown
- Financial risk

✅ WHY ES-TRIN CERTIFIED

- Complies with laws and regulations
- Deployable anywhere
- Safety guaranteed
- Gives working comfort



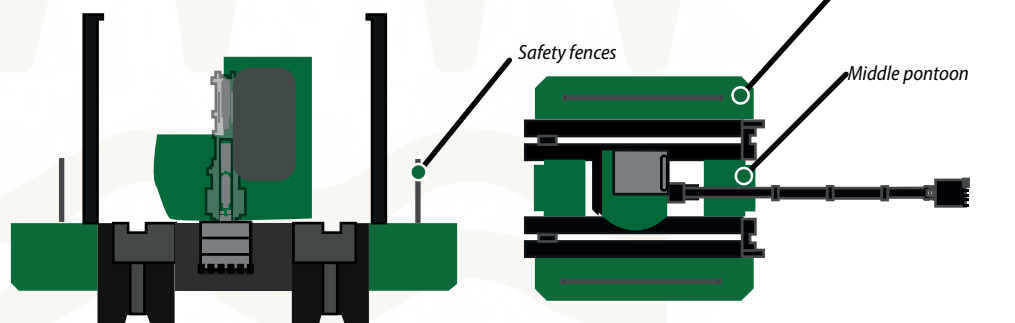
ES-TRIN certified amphibious excavator

CERTIFIED AND UNCERTIFIED

A certified machine has:

- Wider side pontoons
- A middle pontoon
- Safety fences
- Stronger drive motors

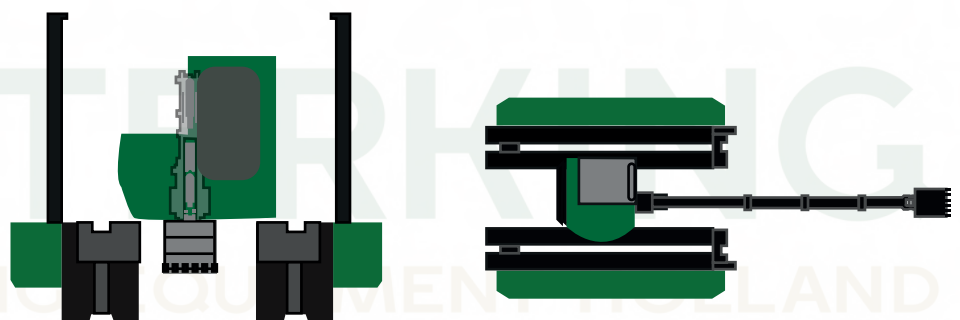
Certified



An uncertified machine has:

- Smaller side pontoons
- No middle pontoon
- No safety fences

Not certified

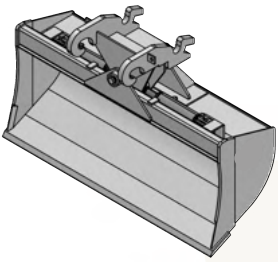


WK 20 NG-A in Aa Hunze , the Netherlands



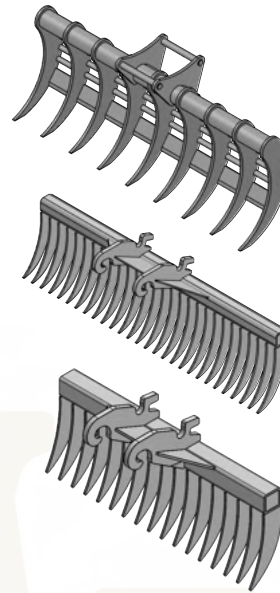
OPTIONS AND ATTACHMENTS

UNPERFORATED BUCKETS



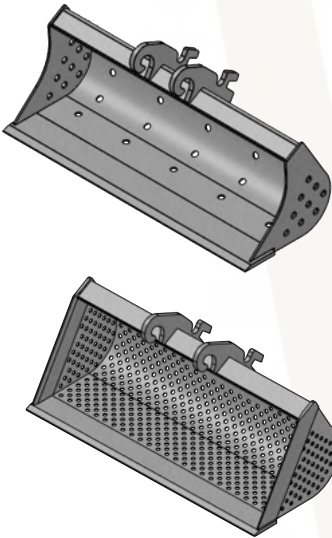
Unperforated digging buckets are used to dig sand. They are made of hard steel and can also come with teeth (teethbucket) to get through hard surfaces.
450-1200 liters

RAKES



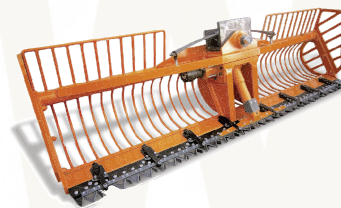
Rakes are used to level substrates or remove exotics from water, for example.

PERFORATED BUCKETS



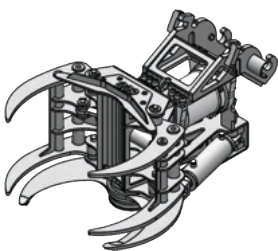
Full- and half-perforated digging buckets are often used for dredging. The holes allow the water to drain out and the silt remains.
450-1200 liters

MOWING BUCKET



A mowing bucket, consisting of a bucket with cutting blades to remove vegetation from an embankment or water bottom.
1- 5 meters

MECHANICAL TREE CUTTERS



Tree cutters are used to prune and cut both large and small trees with ease.

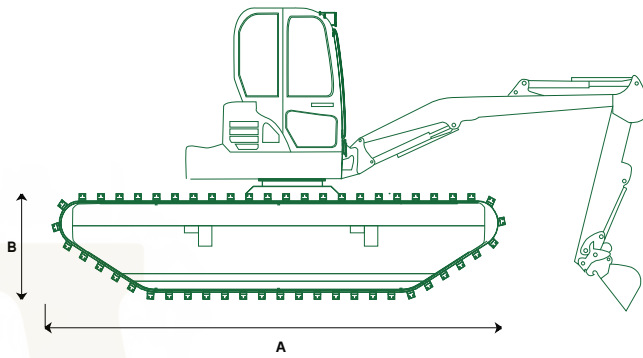
It is entirely up to the respective customer to assemble the machine himself, this of course includes attachments. Waterking supplies various types, from fully perforated dredging buckets to tree cutters. Attachments to be powered by a hydraulic

QUICK-HITCH

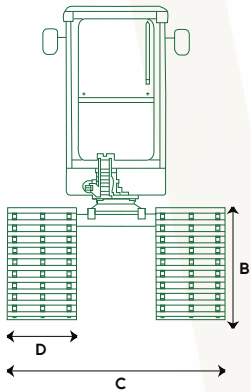


A **quick-hitch** is used to switch quickly between buckets and other attachments.

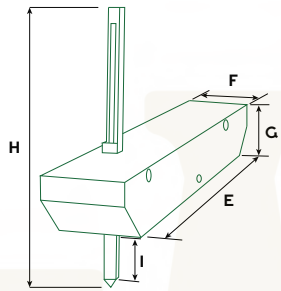
TECHNICAL SPECIFICATIONS



Side view excavator



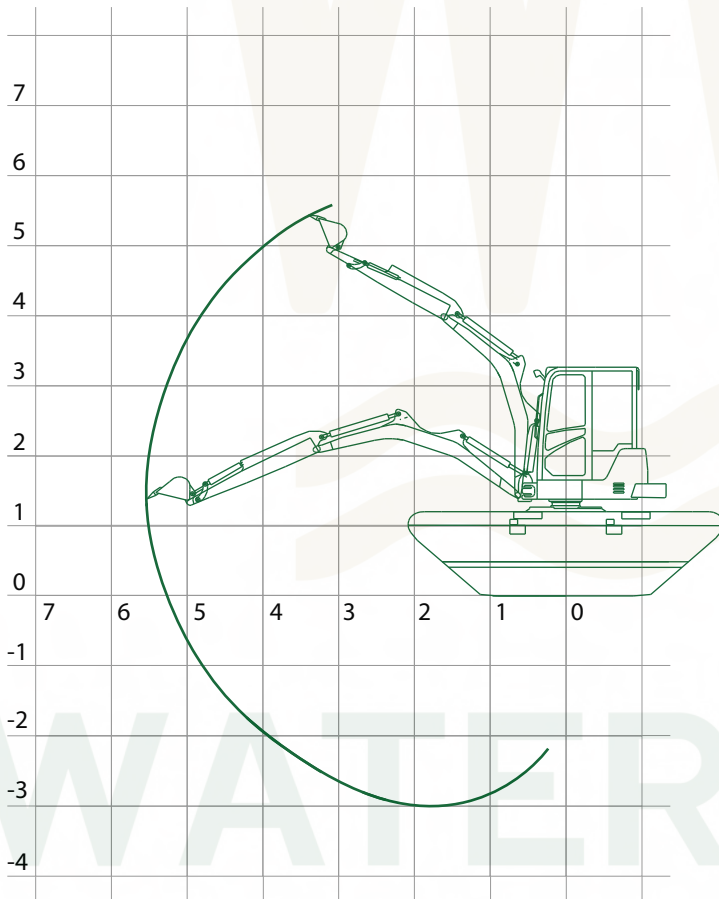
Front view excavator



Side pontoon with spudpole

Excavator class - ton	2,00
Total weight - ton	4,00
Reach - m	5,25 - 5,50
Weight pontoon set - ton	2,00
Groundpressure - kg/cm2	0,139
Engine power - kW	10 - 12
Bucket- l	44 - 127
A Length pontoon - m	8,60
B Height pontoon - m	1,32
C Undercarriage overall width - m	2,50
D Pontoon width - m	0,62
Tracks - m	PE
E Additional pontoon length - m	3,10
F Additional pontoon width - m	0,80
G Additional pontoon height - m	0,80
Additional pontoon weight (each incl. spud pole) - ton	4,30
H Spud pole length - m	3,00
I Spud pole stroke length - m	2,20

REACH CAPACITY



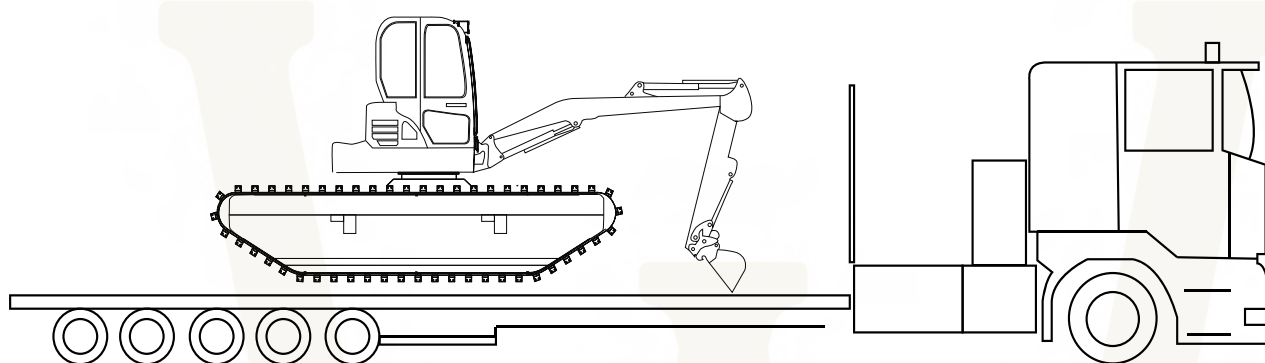
WK 20 NG-A in Schildmeer , the Netherlands



TRANSPORT

The WK 20 NG-A an adjustable excavator which means the undercarriage can be extended. This makes it easy to transport the machine. Both ES-TRIN certified and non-certified can be transported on 1 trailer, with the ES-TRIN certified, the side pontoons, intermediate pontoon and spud poles are getting disconnected. Should the machine need to be transported in a container, it is possible to take it apart.

The transport of the excavator can be completely arranged by Waterking



TYPE

Basic machine
Uppercarriage + undercarriage

ES-TRIN uncertified
Uppercarriage + undercarriage + spudpoles + side pontoons

ES-TRIN certified
Basic machine + sidepontoons + spudpoles + middle pontoon + safety fences

AMOUNT OF TRAILERS

1 trailer

1 trailer

1 trailer

WATERKING BV

POSTAL ADDRESS
MERCURIUSWEG 22 | 9482 WLTYNAARLO | THE NETHERLANDS

VISITORS ADDRESS
MERCURIUSWEG 22 | 9482 WL TYNAARLO | THE NETHERLANDS
SALES@WATERKING.NL | WWW.WATERKING.NL | +31 (0)592 - 55 95 36



INGENIOUS FOR YOU

MERCURIUSWEG 22 | 9482 WL TYNAARLO | THE NETHERLANDS
SALES@WATERKING.NL | WWW.WATERKING.NL | +31 (0)592 - 55 95 36